



NOTE: STRESSES ASSOCIATED WITH EXTERNAL OR ENVIRONMENTAL EFFECTS HAVE NOT BEEN CONSIDERED IN THIS DESIGN. ANY PROJECT SPECIFIC LOADINGS WILL REQUIRE EVALUATION TO ENSURE THAT THEY DO NOT APPLY NEW LOADS NOT ALLOWED FOR IN THIS DESIGN.

* THE CONFIGURATION AND DIMENSIONS OF THE BURNER GAS TRAIN CAN VARY DEPENDING ON GAS SUPPLY PRESSURE AND SITE SPECIFICATIONS. HUNT BOILERS CAN PROVIDE GAS TRAIN CONFIGURATION AND DIMENSION ON RECEIPT OF THE DESIGN CRITERIA FOR YOUR PROJECT.

SPECIFICATION:

TN-AR SERIES
HOT WATER HEATER
MODEL: TN5000
DESIGN REFERENCE: AS1210-2010

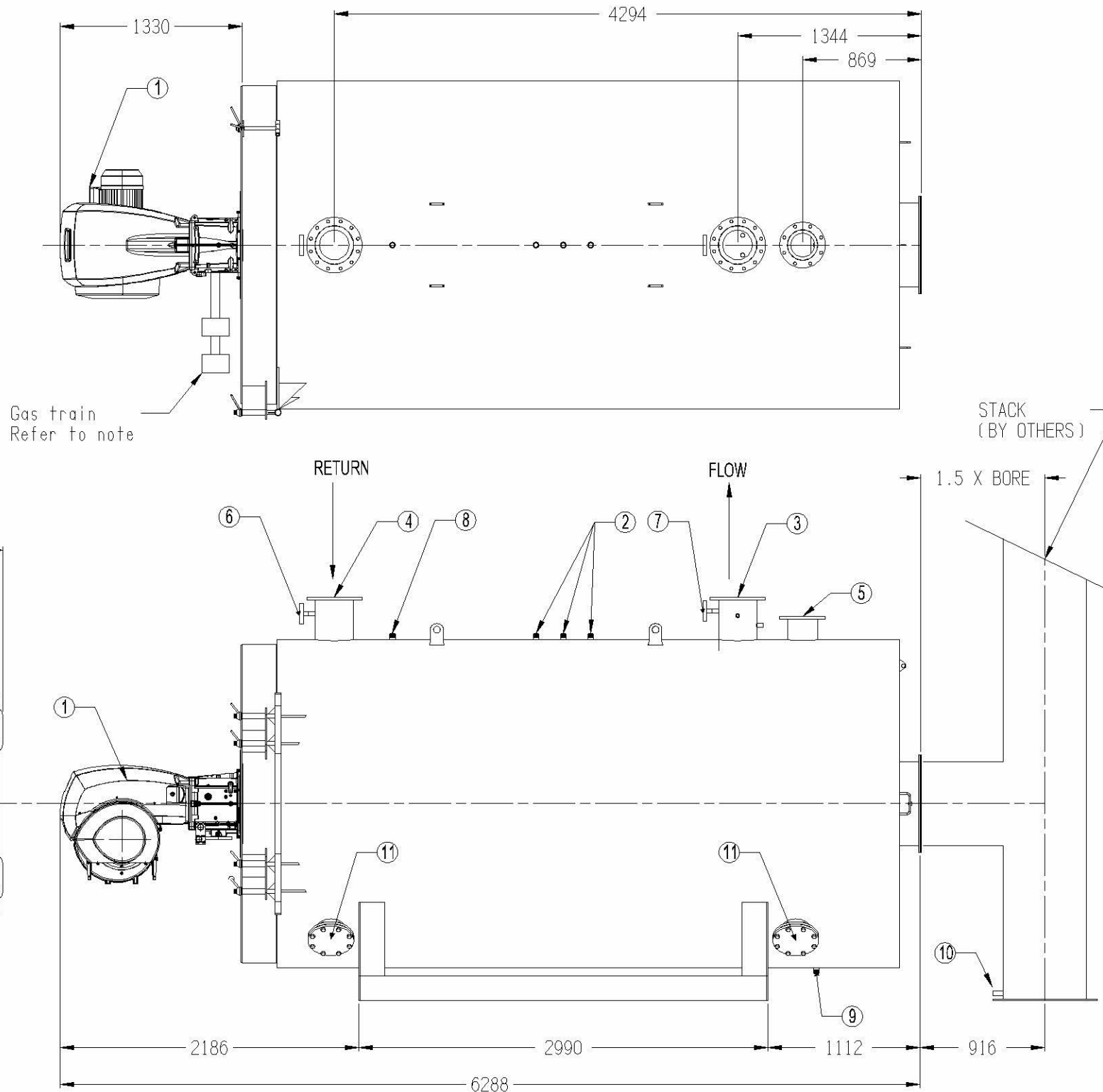
DESIGNATION NUMBER: AS1210-3
OUTPUT CAPACITY: 5000 KW
MAX. OPERATING TEMPERATURE: 99 DEG C
MAX. OPERATING PRESSURE: 950 KPA
DESIGN PRESSURE: 1000 KPA
TEST PRESSURE: 1560 KPA
INPUT: *21686 MEGAJOULES/HR
OUTPUT: 18000 MEGAJOULES/HR
DRY MASS: 15200 KGS
WATER CONTENT: 7,416 LITRES

HAZARD LEVEL TO AS4343-2005	
OPEN VENTED	"E"
>65°C <90°C	"C"
≥90°C <100°C	"B"

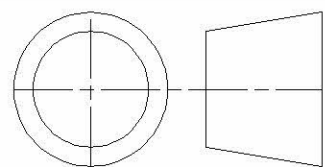
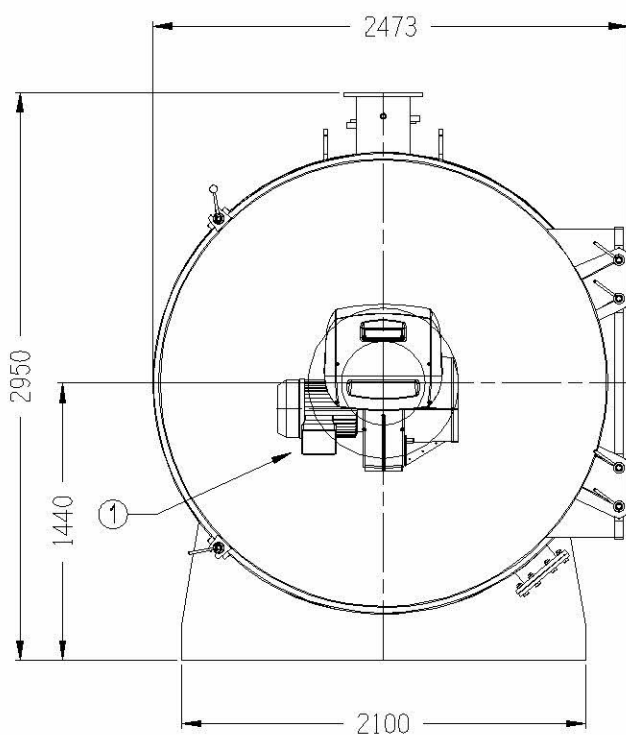
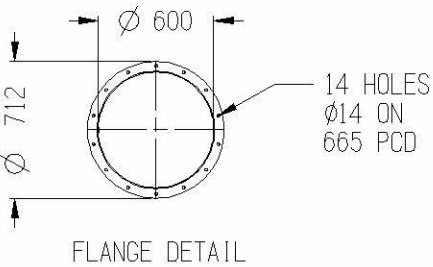
WATER FLOW RATE kg/SEC	WATER PRESSURE DROP KPA	Δ T10°C	122.06
		Δ T15°C	81.47
	Δ T20°C	61.17	
		5.59	

* = BASED ON 65°C WATER INLET TO 80°C WATER OUTLET

ITEM	DESCRIPTION	TYPE	STYLE	SIZE	QTY
12					
11	INSPECTION OPENINGS	FLANGE	TABLE "E"	200NB	2
10	CONDENSATE DRAIN	STUB	BSP	32NB	1
9	DRAIN CONNECTION	SOCKET	BSP	32NB	1
8	LOW LEVEL PROBE CON.	STUB	BSP	32NB	1
7	TEMPERATURE GAUGE	BIMETAL	0-150°C		1
6	PRESSURE GAUGE	BOURDON	0-2000kPa		1
5	VENT CONNECTION	FLANGE	TABLE "E"	200NB	1
4	RETURN CONNECTION	FLANGE	TABLE "E"	250NB	1
3	FLOW CONNECTION	FLANGE	TABLE "E"	250NB	1
2	SAFETY VALVE	BRONZE	FULL LIFT	32NB	3
1	BURNER	FORCED DRAFT	GUN		1



IN THE INTEREST OF CONTINUOUS IMPROVEMENT HUNT BOILERS RESERVES THE RIGHT TO CHANGE THE SPECIFICATIONS OF ITS PRODUCTS WITHOUT PRIOR NOTICE



THIRD ANGLE PROJECTION

HUNT BOILERS
A Division of Forbes (Aust) Pty Ltd

THIS DRAWING WAS PREPARED BY HUNT BOILERS. THE INFORMATION IT CONTAINS IS CONFIDENTIAL AND MUST NOT BE USED, DISCLOSED OR REPRODUCED WITHOUT WRITTEN AUTHORITY.

ALL DIMENSIONS IN MILLIMETERS	DRAWN: P.C.H.	DESCRIPTION: TN-AR 5000 (5000KW) HOT WATER HEATER GENERAL ARRANGEMENT REG DESIGN:- SD20070706-1
DO NOT SCALE THIS DRAWING	DATE: 12/02/07	DRAWING No: TNAR5000-GA-8/8
COMPUTER AIDED DRAFT	CHECKED: DA	

REV	REVISION NOTE	DATE	CKD
B	Burner and specifications updated	10/12/08	DA
A	ORIGINAL ISSUE	12/02/07	