



SPECIFICATIONS:

TNAR SERIES  
 HOT WATER HEATER  
 MODEL: TNAR3000 (3000kW)  
 DESIGN REFERENCE: AS1210-2010  
 CLASS: 3

DESIGNATION NUMBER: AS1210-3  
 OUTPUT CAPACITY: 3000 kW  
 MAX. OPERATING TEMPERATURE: 99°C  
 MAX. OPERATING PRESSURE: 570 kPa  
 DESIGN PRESSURE: 600 kPa  
 TEST PRESSURE: 936 kPa  
 INPUT: \* 13012 MEGAJOULES/hr  
 OUTPUT: 10800 MEGAJOULES/hr  
 WATER CONTENT: 3100 LITRES  
 DRY WEIGHT: 6560 kg

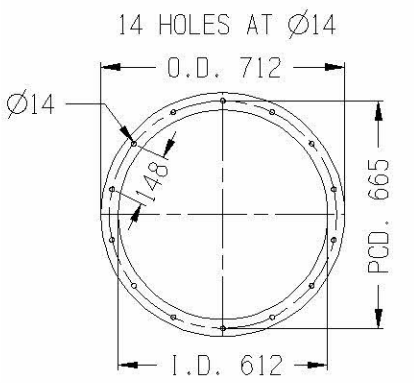
HAZARD LEVEL TO AS4343-2005	
OPEN VENTED	"E"
>65°C <90°C	"C"
≥90°C <100°C	"B"

WATER FLOW RATE kg/sec	ΔT10°C	73.24
	ΔT15°C	48.88
WATER PRESSURE DROP kPa	ΔT15°C	6.8
	ΔT20°C	3.7

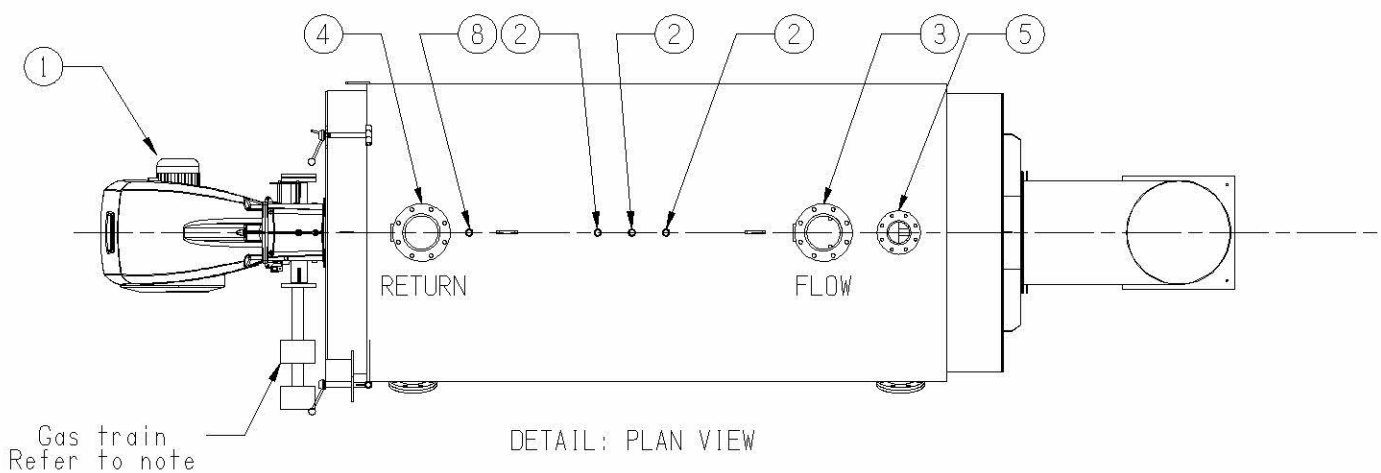
\* = BASED ON 65°C WATER INLET TO 80°C WATER OUTLET

NOTE: STRESSES ASSOCIATED WITH EXTERNAL OR ENVIRONMENTAL EFFECTS HAVE NOT BEEN CONSIDERED IN THIS DESIGN. ANY PROJECT SPECIFIC LOADINGS WILL REQUIRE EVALUATION TO ENSURE THAT THEY DO NOT APPLY NEW LOADS NOT ALLOWED FOR IN THIS DESIGN.

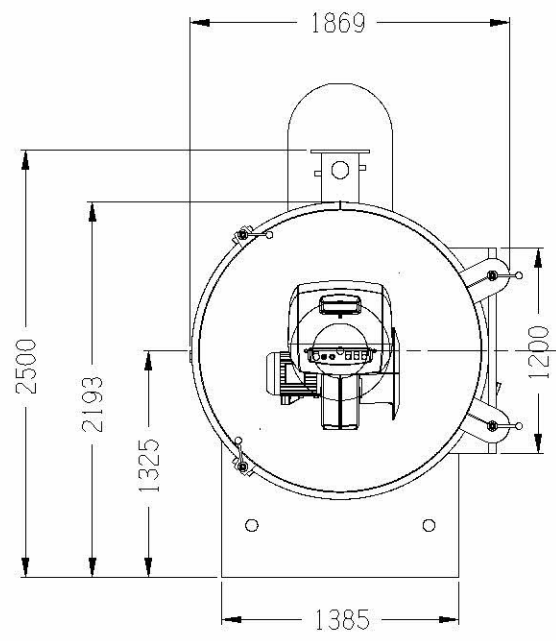
\* THE CONFIGURATION AND DIMENSIONS OF THE BURNER GAS TRAIN CAN VARY DEPENDING ON GAS SUPPLY PRESSURE AND SITE SPECIFICATIONS. HUNT BOILERS CAN PROVIDE GAS TRAIN CONFIGURATION AND DIMENSION ON RECEIPT OF THE DESIGN CRITERIA FOR YOUR PROJECT.



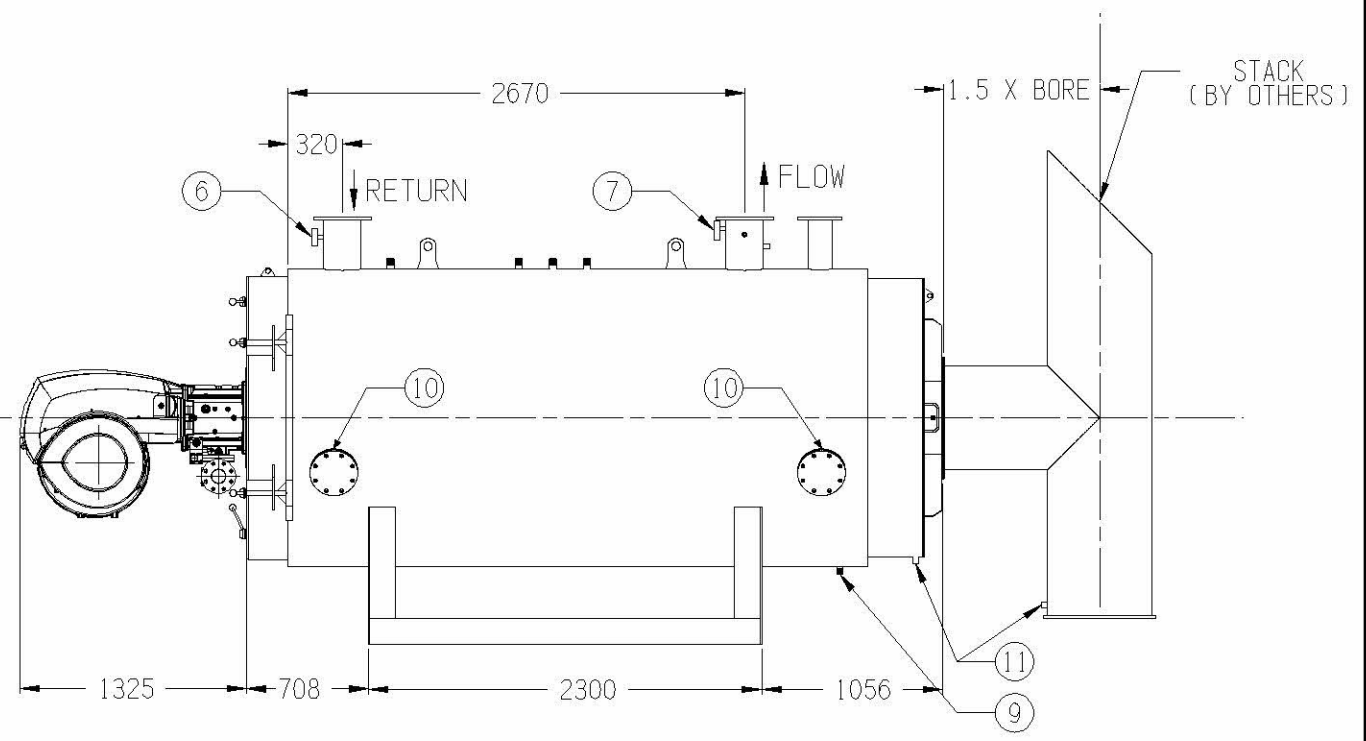
DETAIL: FLUE FLANGE



DETAIL: PLAN VIEW



DETAIL: FRONT ELEVATION

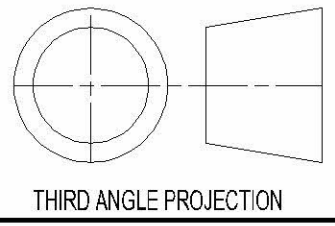


DETAIL: SIDE ELEVATION

IN THE INTEREST OF CONTINUOUS IMPROVEMENT HUNT BOILERS RESERVES THE RIGHT TO CHANGE THE SPECIFICATIONS OF IT'S PRODUCTS WITHOUT PRIOR NOTICE.

12					
11	CONDENSATE DRAIN CON	STUB	BSP	20NB	1
10	INSPECTION OPENINGS	FLANGE	TABLE 'E'	150NB	2
9	DRAIN CONNECTION	STUB	BSP	25NB	1
8	LOW LEVEL PROBE CON	STUB	BSP	32NB	1
7	TEMPERATURE GAUGE	BIMETAL	0-150°C		1
6	PRESSURE GAUGE	BOURDON	0-1000kPa		1
5	VENT CONNECTION	FLANGE	TABLE 'E'	150NB	1
4	RETURN CONNECTION	FLANGE	TABLE 'E'	200NB	1
3	FLOW CONNECTION	FLANGE	TABLE 'E'	200NB	1
2	SAFETY VALVE	BRONZE	FULL LIFT	32NB	3
1	BURNER	FORCED DRAFT	GUN		1
ITEM	DESCRIPTION	TYPE	STYLE	SIZE	QTY

REV	REVISION NOTE	DATE	CKD
B	Burner and specifications updated	10/02/12	DA
A	ORIGINAL ISSUE	12/08/08	



THIRD ANGLE PROJECTION

**HUNT BOILERS**  
 A Division of Forbes (Aust) Pty Ltd

THIS DRAWING WAS PREPARED BY HUNT BOILERS. THE INFORMATION IT CONTAINS IS CONFIDENTIAL AND MUST NOT BE USED, DISCLOSED OR REPRODUCED WITHOUT WRITTEN AUTHORITY.

ALL DIMENSIONS IN MILLIMETERS	DRAWN: D.L.D	DESCRIPTION: TNAR3000 (3000kw) HOT WATER HEATER GENERAL ARRANGEMENT DESIGN REG:- SD20081070-1
DO NOT SCALE THIS DRAWING	DATE: 12/08/08	DRAWING No: TNAR3000-GA-8/8
COMPUTER AIDED DRAFT	CHECKED: DA	