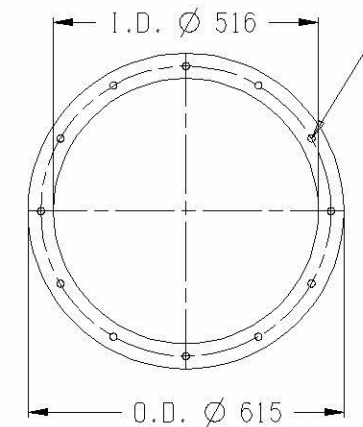
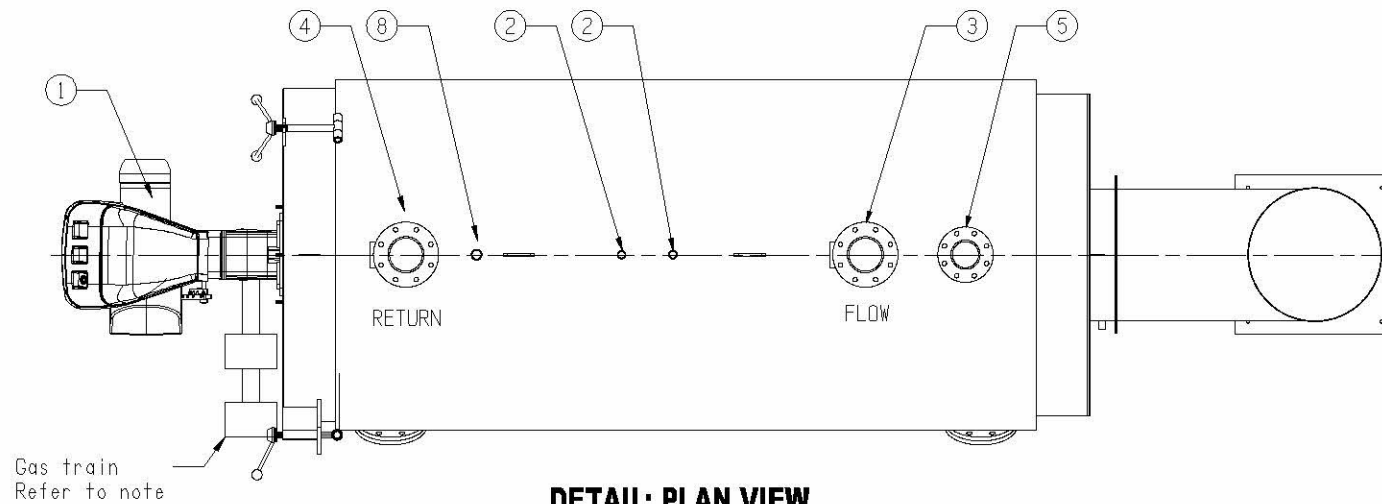


12 HOLES $\phi 14$ ON 565 PCD.

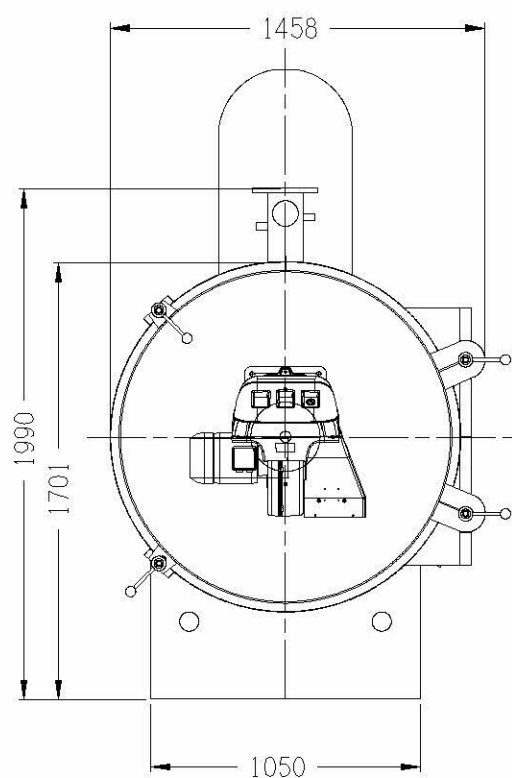


NOTE: STRESSES ASSOCIATED WITH EXTERNAL OR ENVIRONMENTAL EFFECTS HAVE NOT BEEN CONSIDERED IN THIS DESIGN. ANY PROJECT SPECIFIC LOADINGS WILL REQUIRE EVALUATION TO ENSURE THAT THEY DO NOT APPLY NEW LOADS NOT ALLOWED FOR IN THIS DESIGN.

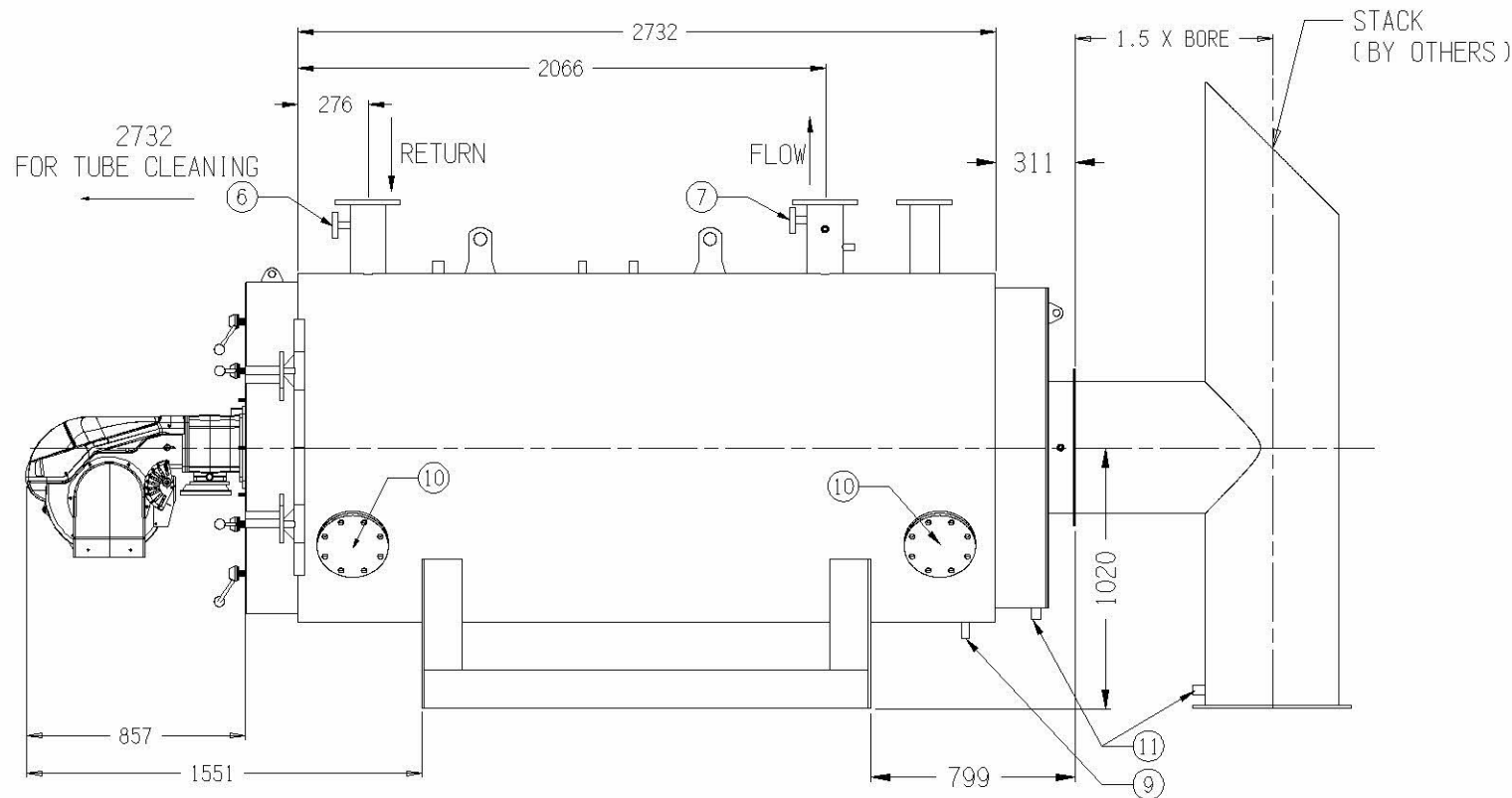
THE CONFIGURATION AND DIMENSIONS OF THE BURNER GAS TRAIN CAN VARY DEPENDING ON GAS SUPPLY PRESSURE AND SITE SPECIFICATIONS. HUNT BOILERS CAN PROVIDE GAS TRAIN CONFIGURATION AND DIMENSION ON RECEIPT OF THE DESIGN CRITERIA FOR YOUR PROJECT.



DETAIL: PLAN VIEW



DETAIL: FRONT ELEVATION



DETAIL: SIDE ELEVATION

IN THE INTEREST OF CONTINUOUS IMPROVEMENT HUNT BOILERS RESERVES THE RIGHT TO CHANGE THE SPECIFICATIONS OF IT'S PRODUCTS WITHOUT PRIOR NOTICE.



SPECIFICATIONS:

TNAR SERIES
HOT WATER HEATER
MODEL: TNAR1500 (1500KW)
DESIGN REFERENCE: AS1210-2010
CLASS: 3

DESIGNATION NUMBER: AS1210-3
OUTPUT CAPACITY: 1500 kW
MAX. OPERATING TEMPERATURE: 99°C
MAX. OPERATING PRESSURE: 570 kPa
DESIGN PRESSURE: 600 kPa
TEST PRESSURE: 936 kPa
INPUT: * 6506 MEGAJOULES/hr
OUTPUT: 5400 MEGAJOULES/hr
WATER CONTENT: 1526 LITRES
DRY WEIGHT: 3520 kg

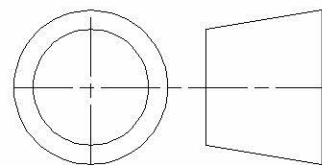
HAZARD LEVEL TO AS4343-2005

OPEN VENTED	"E"
>65°C <90°C	"D"
≥90°C <100°C	"C"

WATER FLOW RATE kg/sec	ΔT10°C	36.62
	ΔT15°C	8.30
WATER PRESSURE DROP kPa	ΔT15°C	24.44 *
	ΔT20°C	4.90
	ΔT20°C	18.35
		2.75

* = BASED ON 65°C WATER INLET TO 80°C WATER OUTLET

ITEM	DESCRIPTION	TYPE	STYLE	SIZE	QTY
11	CONDENSATE DRAIN CON	STUB	BSP	20NB	2
10	INSPECTION OPENINGS	FLANGE	TABLE 'E'	150NB	2
9	DRAIN CONNECTION	STUB	BSP	25NB	1
8	LOW LEVEL PROBE CON	STUB	BSP	32NB	1
7	TEMPERATURE GAUGE	BIMETAL	0-150°C		1
6	PRESSURE GAUGE	BOURDON	0-1000kPa		1
5	VENT CONNECTION	FLANGE	TABLE 'E'	100NB	1
4	RETURN CONNECTION	FLANGE	TABLE 'E'	150NB	1
3	FLOW CONNECTION	FLANGE	TABLE 'E'	150NB	1
2	SAFETY VALVE	BRONZE	FULL LIFT	25NB	2
1	BURNER	FORCED DRAFT	GUN		1



THIRD ANGLE PROJECTION

HUNT BOILERS
A Division of Forbes (Aust) Pty Ltd

THIS DRAWING WAS PREPARED BY HUNT BOILERS. THE INFORMATION IT CONTAINS IS CONFIDENTIAL AND MUST NOT BE USED, DISCLOSED OR REPRODUCED WITHOUT WRITTEN AUTHORITY.

ALL DIMENSIONS IN MILLIMETERS	DRAWN: D.L.D.	DESCRIPTION: TNAR1500 (1500KW) HOT WATER HEATER GENERAL ARRANGEMENT DESIGN REG: #SD20050227-1
DO NOT SCALE THIS DRAWING	DATE: 25/11/08	DRAWING No: TNAR1500-GA-01
COMPUTER AIDED DRAFT	CHECKED: DA	

A4

REV	REVISION NOTE	DATE	CKD
B	Burner and specifications updated	10/02/12	DA
A	ORIGINAL ISSUE	25/11/08	